

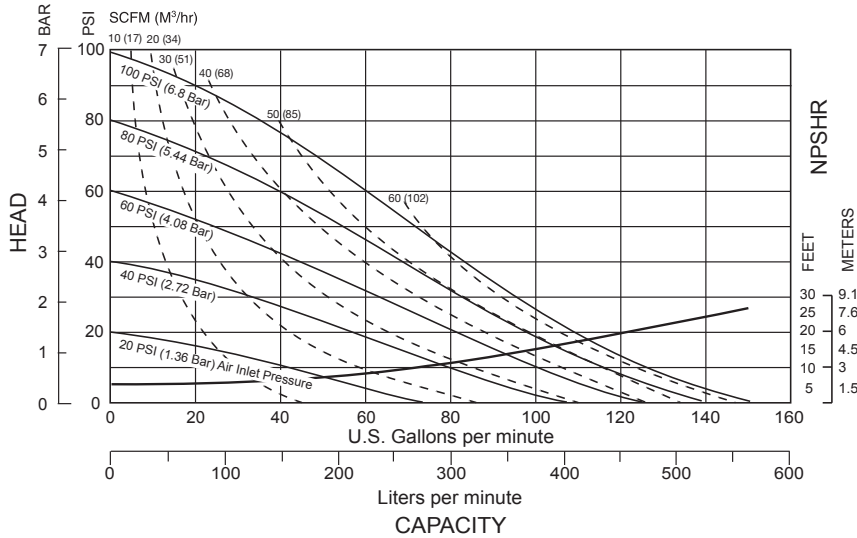
E2 DATA SHEET

SPECIFICATIONS & PERFORMANCE

2" Flap Bolted Plastic with Plastic Center Sections

PERFORMANCE

Performance based on the following: elastomer fitted pump, flooded suction, water at ambient conditions.
The use of other materials and varying hydraulic conditions may result in deviations in excess of 5%.



NOTE: Performance based on the following: elastomeric fitted pump, flooded suction, water at ambient conditions. The use of other materials and varying hydraulic conditions may result in deviations in excess of 5%.

DIMENSIONS

SPECIFICATIONS

Flow Rate

Adjustable to . . . 0-150 gpm (567 lpm)

Port Size - Suction / Discharge

. 2" ANSI 150 Class (DIN 50)
. 2" NPT (F)
. 2" BSPT (F)

Air Inlet 3/4" NPT

Air Exhaust
Standard Encapsulated, 1" NPT Optional

Suction Lift

Dry:

Elastomer 19' (5.8 m)
Santoprene 15' (4.6 m)
Wet 24' (7.3 m)

Max Solid Size (Diameter)

. 1.8" (46 mm)

Max Noise Level 91dB

Weights

Pump: Polypropylene . 53 lbs. (24 kg)
Shipping: Polypropylene 71 lbs. (31.8 kg)



VERSAMATIC®

Warren Rupp, Inc. | A Unit of IDEX Corporation
800 North Main Street | Mansfield, OH 44902 USA
Phone: 419.526.7296 | Fax: 419.526.7289

VERSAMATIC.COM

e2nmCdsATEX-rev0321

©Copyright 2021 Warren Rupp, Inc. All Rights Reserved.

E2 DATA SHEET

SPECIFICATIONS & PERFORMANCE

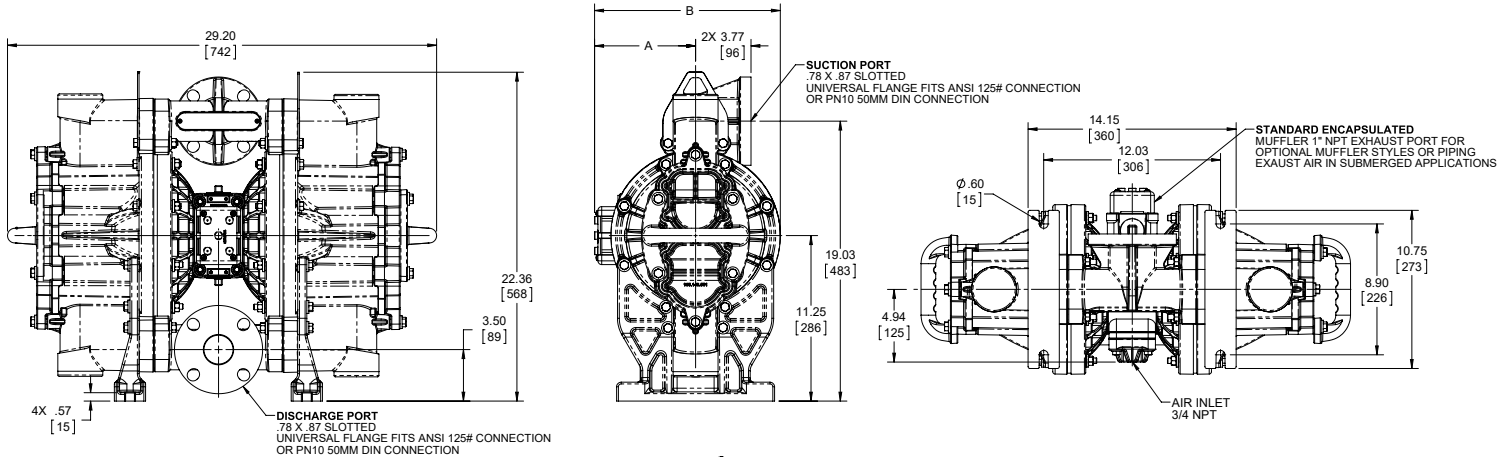
2" Flap Bolted Plastic with Plastic Center Sections

DIMENSIONS

E2 Plastic Bolted Flap - Flanged Manifold

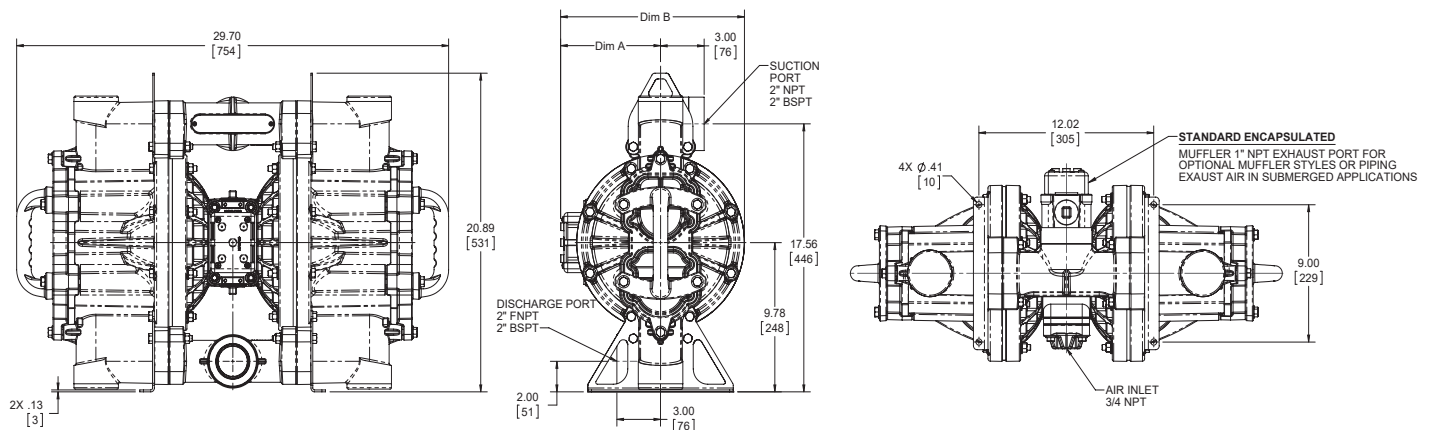
Dimensions in inches (metric dimensions in brackets)

The dimensions on this drawing are for reference only. A certified drawing can be requested if physical dimensions are needed.



E2 Plastic Bolted Flap Non-Metallic

Dimensions in Inches [] in Millimeters. Dimensional tolerance: +/- 1/8" [] +/- 3mm



VERSAMATIC[®]

Warren Rupp, Inc. | A Unit of IDEX Corporation
800 North Main Street | Mansfield, OH 44902 USA
Phone: 419.526.7296 | Fax: 419.526.7289

VERSAMATIC.COM

e2nmCdsATEX-rev0321

©Copyright 2021 Warren Rupp, Inc. All Rights Reserved.